

USER'S MANUAL FOR TeamTalk

Most optimized way of mutual discussion in full duplex between a leader and any one of participants at a meeting while all rest members are listening.

TeamTalk-Leader;
OPTIMIZED MUTUAL DISCUSSION SYSTEM IN FULL DUPLEX FOR LEADER
Model; TeamTalk-L

TeamTalk-Participant;
OPTIMIZED MUTUAL DISCUSSION SYSTEM IN FULL DUPLEX FOR PARTICIPANTS
Model; TeamTalk-P



1. General Information

1.1 Introduction

The product "TeamTalk-L" and "TeamTalk-P" are the most optimized way of mutual discussion in full duplex between a leader and any one of participants at a meeting while all rest members are listening. It combines quality and versatility into the most compact, simple to operate and easy to use with state of the art technology.

1.2 Main Feature

- Worldwide compatible 2.4Ghz ISM band solution
- Full duplex discussion between a leader and any one of participants while all other members are listening
- Fully digitalized crystal-clear sound quality and loud enough audio output over 150m coverage
- Easy to put on and stabilized ear set boom microphone for a leader and high desirable plug in microphone with comfortable D shape earphone for participants

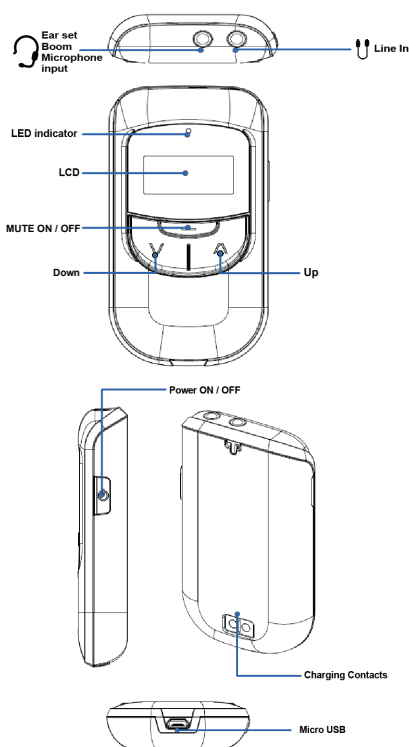
- Support for a leader to publish with any favorite music background or sound effect thru Line In input
- Extremely easy to set up in 3 steps only and user-friendly features
- Ultra compact, 50x88x15mm and light weight, 60g only
- Long enough battery life over 12 hours
- Convenient drop in charge or micro USB charging system

1.3 Standard Accessories

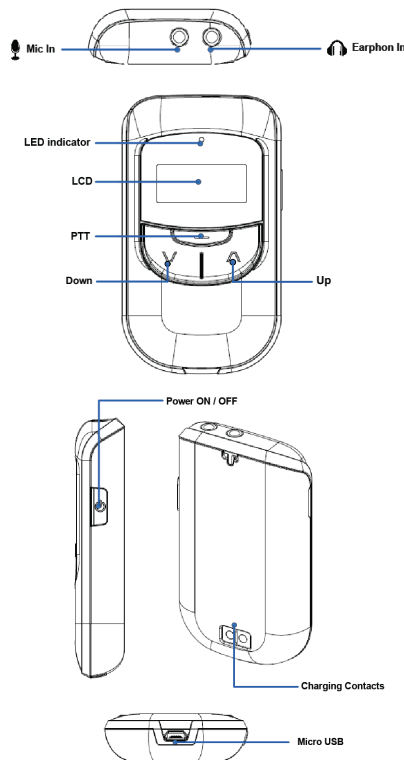
- TeamTalk-L;
Ear set Boom Microphone, Neck strap and USB charging cable
- TeamTalk-P;
Plug In Microphone, D shape earphone, Neck strap and USB charging cable

2. Controls and Indicators

2.1 TeamTalk-L



2.2 TeamTalk-P



3.1 Power On/OFF

Press and hold the "Power" button longer than 2 seconds to turn the device power on. Afterward, press and hold the "Power" button longer than 2 seconds again to turn the device power off.

3.2 TeamTalk-L


The transmission is starting automatically as soon as the power is turned on the device. On the LCD, vol 03, **MASTER** and **TALK** are displayed. Its Group number has been set at "00" as a default.





Plug the Ear set Boom Microphone into the jack. Adjust the volume level you desire by press "▲" or "▼" button.

Set the Group number to be an equal between the TeamTalk-L & TeamTalk-P and use the device.

3.3 TeamTalk-P

On the LCD,  and vol 03 are displayed when the device power on. Set the Group number equally between TeamTalk-L & TeamTalk-P. The Volume level and Group number have been set at "03" and "00" as a default.



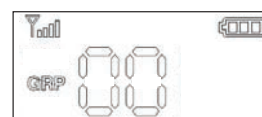
Plug the Plug Microphone into the  jack and the D shape earphone into the  jack. Adjust the volume level you desire by pressing "▲" or "▼" button. Set the Group number to be an equal between the TeamTalk-L & TeamTalk-P.

Press the PTT button longer than 1 second and talk when you want to talk to the leader.

ON Air & **TALK** are displayed when the transmitting is activated successfully. **ON Air** on the LCD is displayed for the moment when any one of other members is talking by press his PTT button earlier than you. In that case, you need to wait until **ON Air** is disappeared. If you pressed the PTT button while **ON Air** was displayed, the PTT is not activated with a beep alert.

3.4 Group selection on TeamTalk-L and Team Talk-P

Press and hold the "▲" and "▼" button longer than 2 seconds. The "GRP" on the LCD is blinking. Choose the Group number by pressing the "▲" or "▼" button and then release all the buttons longer than 2 seconds to fix it. The blinking of "GRP" on LCD is stopped and the newly selected Group number is displayed.



4. Battery

The rechargeable Li-Ion battery 3.7V, 800mA is installed in each device, TeamTalk-L and TeamTalk-P. Plug the USB charging cable into the USB port and recharge the battery. The Red color LED in the right side top corner of device is turned on during the charging and turned off automatically when the battery is fully charged.

5. SPECIFICATION

Radio Frequency Type

ISM 2403MHz ~ 2480MHz

Type

Full duplex communication

Radio Interface

ISM 2.4GHz: GFSK Modulation with Frequency Hoppingng

Voice Codec

16KHz/16bits

Tx Max Output Power

10mW

RX Sensitivity

-95 dBm

Voice Latency

<20ms

Num. of Frequency Channel

80 chs

Channel Spacing

500 KHz

Data Rate

500 Kbps

Freq. Bandwidth

500 KHz

Battery

Li-ion Battery @ 3.7V 800mA

Antenna

Internal Chip Antenna

Working Time

10 hours typically

Distance Range (LOS)

150m

Frequency response

50 Hz ~ 8 kHz

Maximum operation Transmitters

2 Transmitters simultaneously

Dimension

50 mm X 88 mm X 15 mm

Weight

60g