

LH2-UC06 Horn loudspeaker, 6W, compact marine

www.boschsecurity.com



BOSCH
Invented for life



- ▶ Suitable for marine and industrial applications in humidity-, chlorine- and salty environments
- ▶ Tough, high impact ABS material with UL94 V0 fire-retardant properties
- ▶ Water- and dust-protected to class IP 67
- ▶ Type approval certified EN 60945

The compact Horn Loudspeaker LH2-UC06 is specifically designed for excellent sound reproduction in marine applications and other industrial environments.

The units are rugged, water- and dust-protected, and resistant to the corrosive effects of seawater and most industrial atmospheres.

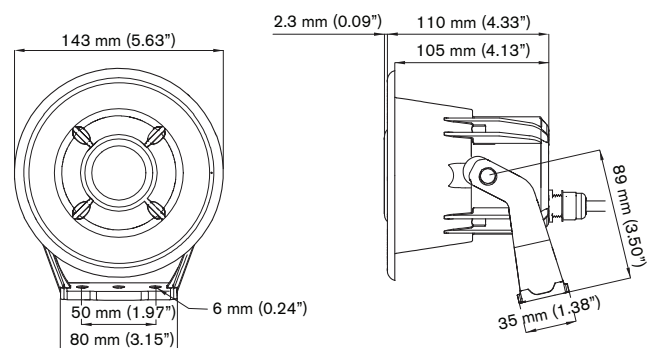
The horn loudspeaker is made from a high impact ABS material. This strong, fire-retardant and corrosion resistant material is chemical resistant and thermally stable, making it ideal for even the harshest environments. The horn is standard supplied with corrosion resistant ABS mounting bracket.

Functions

The horn loudspeaker is standard supplied with a sturdy ABS mounting bracket allowing the sound beam to be accurately directed.

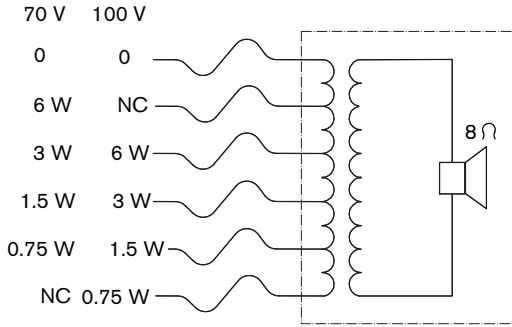
The horn loudspeaker is supplied with a 1 m color-coded 6-core cable, with each color connected to a different primary tap on the matching transformer. This makes it easy to select nominal full-power, half-power, quarter-power or eight-power radiation (i.e. in 3 dB steps) without opening the unit during installation. The horn loudspeaker can be optionally flush mounted in a diameter hole of 110 mm

(4.33") in a wall or ceiling by means of 4 screws (not standard supplied). In this case, the bracket is removed and 4 marked holes – at the rear of the horn rim – needs to be drilled.

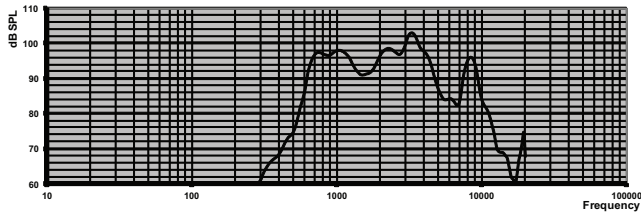


Dimensions in mm and (inch)

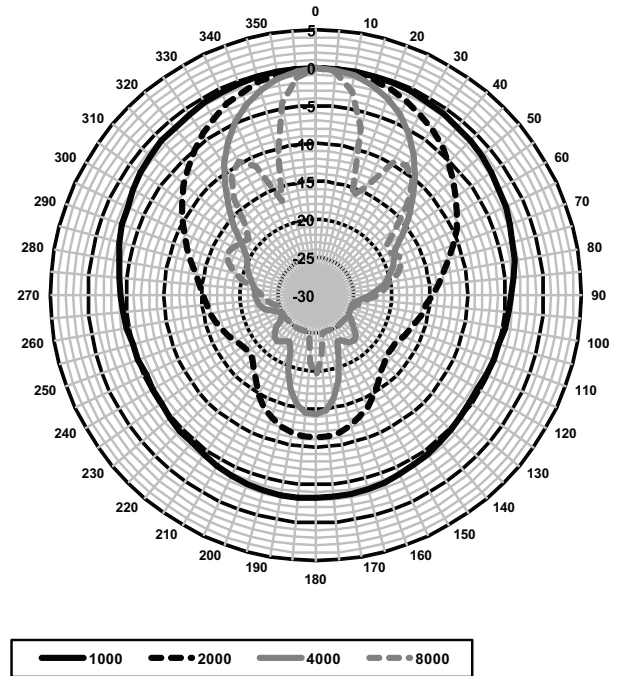
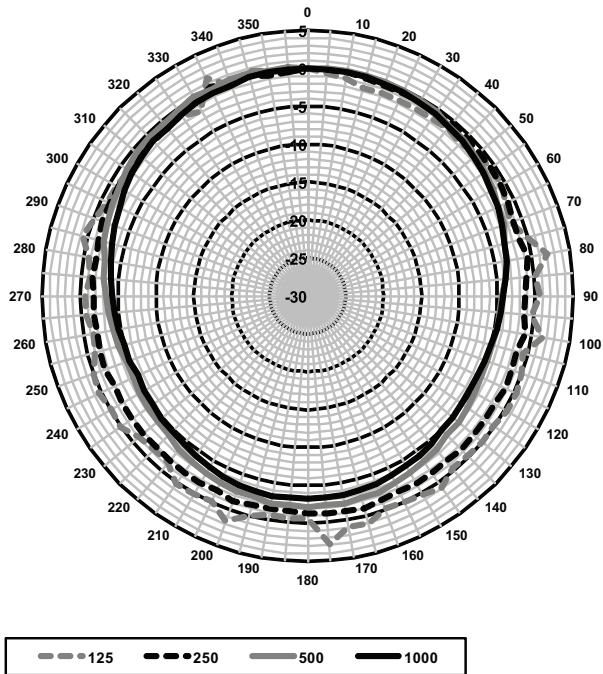
2 | LH2-UC06 Horn loudspeaker, 6W, compact marine



Circuit diagram



Frequency response



Polar diagrams (measured with pink noise)
Acoustical performance specified per octave
* (all measurements are done with a pink noise signal; the values are in dB SPL).

Octave band sensitivity*

	Octave SPL 1W/1m	Total octave SPL 1W/1m	Total octave SPL Pmax/1m
125 Hz	47.9	-	-
250 Hz	59.7	-	-
500 Hz	87.3	-	-
1000 Hz	97	-	-
2000 Hz	96.1	-	-
4000 Hz	96.8	-	-
8000 Hz	90.8	-	-
A-weighted	-	93.3	100.5
Lin-weighted	-	92.7	100.0

Octave band opening angles

	Horizontal	Vertical	
125 Hz	360	360	
250 Hz	360	360	
500 Hz	360	360	
1000 Hz	360	360	

2000 Hz	92	92	
4000 Hz	59	59	
8000 Hz	25	25	

Acoustical performance specified per octave
 * (all measurements are done with a pink noise signal; the values are in dB SPL).

Certifications and approvals

Quality assurance

All Bosch loudspeakers are designed to withstand operating at their rated power for 100 hours in accordance with IEC 60268-5 Power Handling Capacity (PHC) standards. Bosch has also developed the Simulated Acoustical Feedback Exposure (SAFE) test to demonstrate that they can withstand two times their rated power for short durations. This ensures improved reliability under extreme conditions, leading to higher customer satisfaction, longer operating life, and lessens the chance of failure or performance deterioration.

Safety	According to EN 60065
Type approval certified	According to EN 60945
Water and dust protection	According to EN 60529, IP 67
Salt mist	According to IEC 60068-11
Chlorine resistant	According to IEC 60068-2-60
Wind force resistant	According to Bft 11

Region	Regulatory compliance/quality marks	
Europe	CE	DECL EC LH2-UC06.
	CE	(Compliance)
	CE	(IP)

Parts included

Quantity	Component
1	LH2-UC06 Horn Loudspeaker
1	Installation instruction

Technical specifications

Electrical*

Maximum power	9 W
Rated power (PHC)	6 W
Power tapping	6 / 3 / 1.5 / 0.75 W
Sound pressure level at rated power / 1 W (1 kHz, 1 m)	105 / 97 dB (SPL)
Effective frequency range	600 Hz to 5 kHz

(- 10 dB)	
Opening angle at 1 kHz / 4 kHz (-6 dB)	360° / 60°
Rated input voltage	70 / 100 V
Rated impedance	833 / 1667 ohm
Electrical connection	1 m (39.37 in) 6-core fixed cable

* Technical performance data according to IEC 60268-5

Mechanical

Dimensions (H x W x D)	159 x 143 x 136 mm (6.26 x 5.63 x 5.35 in)
Weight	1.18 kg (2.60 lb)
Color	Light grey (RAL 7035)
Material horn	High impact ABS
Material mounting bracket	High impact ABS

Environmental

Operating temperature	-30 °C to +70 °C (-22 °F to +158 °F)
Storage and transport temperature	-40 °C to +70 °C (-40 °F to +158 °F)
Relative humidity	<95%

Ordering information

LH2-UC06 Horn loudspeaker, 6W, compact marine
Horn Loudspeaker 6 W, ABS IP 67 housing,
high-quality speech and music reproduction, IP67
water and dust protected, salt mist and chlorine
resistant, EN 60945 certified, light grey RAL7035.
Order number **LH2-UC06**

Represented by:

Europe, Middle East, Africa:
Bosch Security Systems B.V.
P.O. Box 80002
5600 JB Eindhoven, The Netherlands
Phone: + 31 40 2577 284
emea.securitysystems@bosch.com
emea.boschsecurity.com

Germany:
Bosch Sicherheitssysteme GmbH
Robert-Bosch-Ring 5
85630 Grasbrunn
Germany
www.boschsecurity.com

North America:
Bosch Security Systems, Inc.
130 Perinton Parkway
Fairport, New York, 14450, USA
Phone: +1 800 289 0096
Fax: +1 585 223 9180
onlinehelp@us.bosch.com
www.boschsecurity.us

Asia-Pacific:
Robert Bosch (SEA) Pte Ltd, Security Systems
11 Bishan Street 21
Singapore 573943
Phone: +65 6571 2808
Fax: +65 6571 2699
apr.securitysystems@bosch.com
www.boschsecurity.asia