

WPBT - BLUETOOTH WALL PANEL

WPBT-W • WPBT-B



WPBT-W & WPBT-B



The Australian Monitor WPBT audio receiver is a programmable Bluetooth® audio receiver wall panel.

Featuring an integrated Bluetooth v5.1 module and 3.5mm auxiliary input for wired devices. The wall panel also includes front panel media controls, pairing and source selector buttons.

The WPBT can be programmed using free downloadable Bluetooth Control software to modify the broadcast name, PIN number and various security features.

FEATURES

- Bluetooth v5.1 audio receiver
- Supported Bluetooth profiles
 - A2DP Sink – Advanced audio distribution profile
 - AVRCP – Audio/Video remote controller profile
 - HFP Sink - Hands free profile
- Front Panel
 - 3.5mm auxiliary input
 - Bluetooth media controls
 - Pairing button
 - Source selector button
- Rear panel
 - Balanced audio output. Stereo or mono mode
 - USB-C programming connector
 - RS485 Comms Port



Bluetooth Control Software



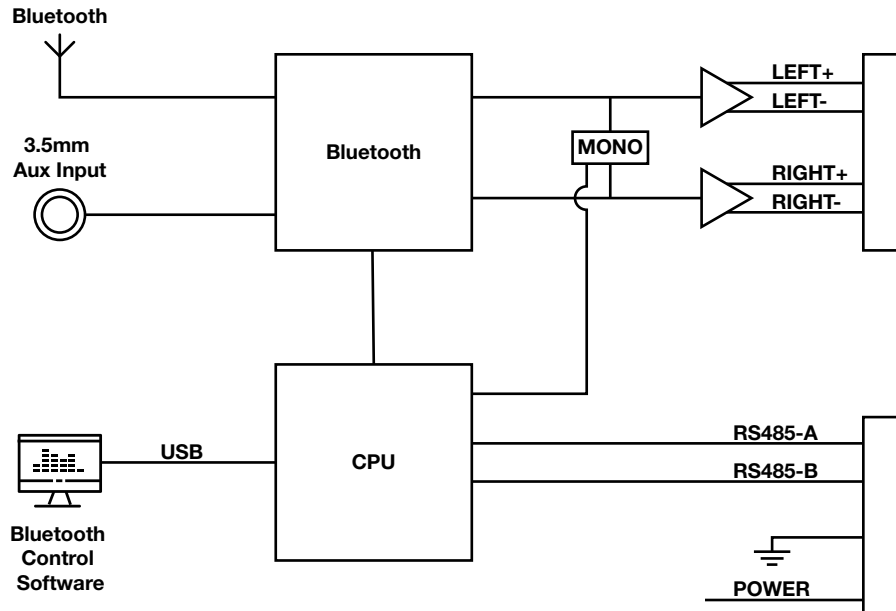
Bluetooth Controls



3.5mm AUX In



BLOCK DIAGRAM




CUSTOMIZE WITH HPM® VIVO™ COVER PLATES

The WPBT is compatible with HPM® VIVO™ cover plates.

Simply replace the standard white or black cover plate with another colour to match your install aesthetic. HPM® VIVO™ cover plates are available in Australia from all good electrical wholesalers.



A brand of **legrand**

VIVO™

 White

 Silver

 Light Grey

 Bright Red

 Rose Gold

 Black

 Graphite

 Khaki

 Pop Blue

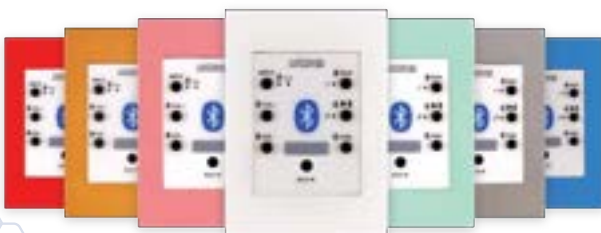
 Chrome

 Copper

 Dark Grey

 Pop Pink

 Mint



WPBT-W with VIVO cover plates



WPBT-B with VIVO cover plates

WP-BREAKOUT ACCESSORY

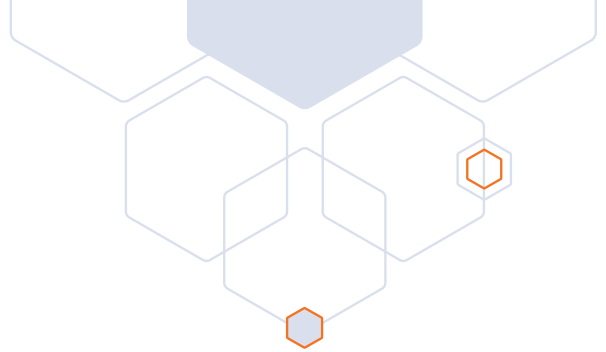
The WP-BREAKOUT is an optional accessory box to easily provide power and break out the audio from up to two WPBT wall panels. +24V DC is provided to the wall panels and the wall panel balanced audio is converted into unbalanced audio for connection into any audio system.



BLUETOOTH CONTROL SOFTWARE

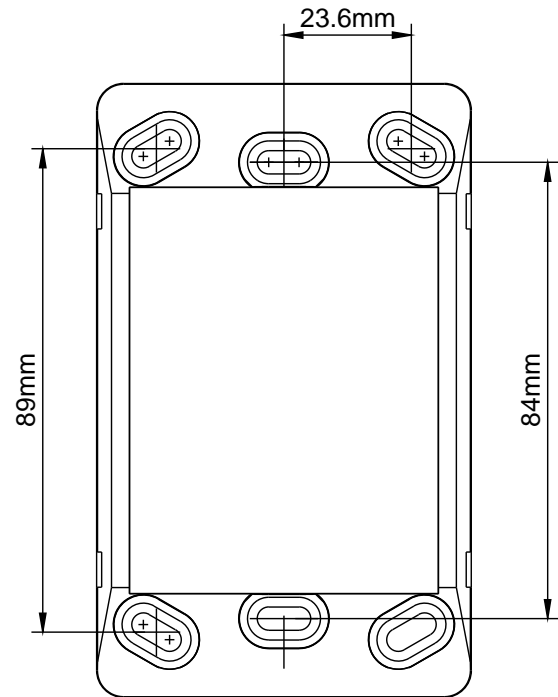
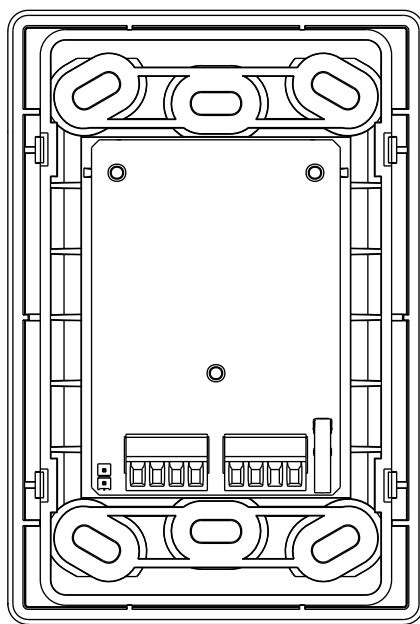
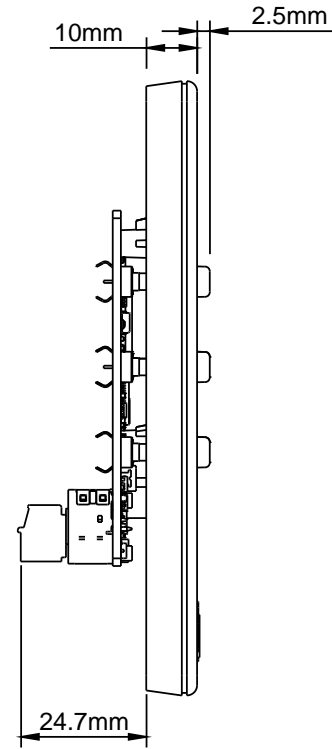
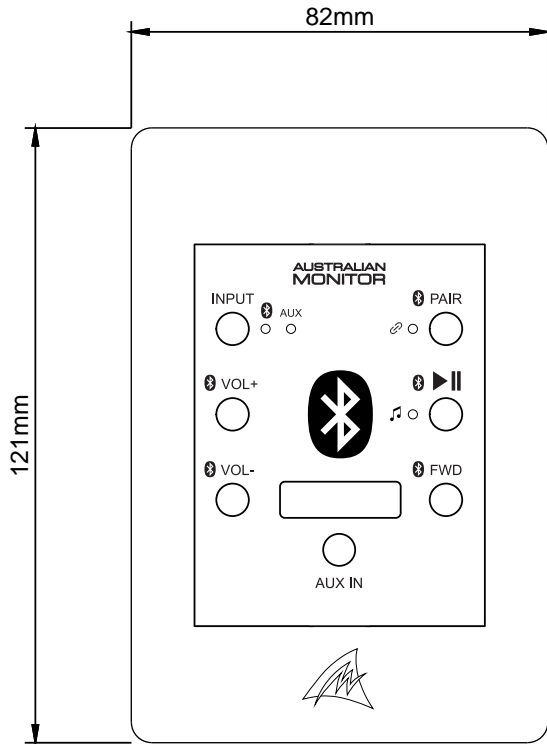
The Bluetooth PC control software can be freely downloaded from the Australian Monitor website. Simply connect it to the PC using the USB-C connector and program the name, PIN, security and audio features.





MODEL	WPBT	COMMENTS
AUDIO		
INPUT CONNECTORS	3.5mm Front Auxiliary Input	
OUTPUT CONNECTORS	3.81mm Euroblock	
OUTPUT SENSITIVITY	1Vrms	
FREQUENCY RESPONSE	20Hz-20kHz	±0.5db
THD + N	< 0.1%	20Hz-20kHz, 20Hz BW, Unity Gain
SNR	> 80dBA	Max Output, 1kHz, 20kHz BW, A-Weighted
BLUETOOTH		
VERSION	Bluetooth v5.1	
PROFILES	A2DP Sink – Advanced audio distribution profile AVRCP – Audio/Video remote controller profile HFP Sink - Hands free profile	
RANGE	200m	Direct line of site. Walls and obstacles will reduce this distance
CONTROL		
USER CONTROLS	Front panel tactile push buttons	
COMMS INTERFACE	USB-C	PC Control Software
POWER REQUIREMENTS		
INPUT VOLTAGE	+15 to +24V DC	
INPUT CURRENT	50mA @ 15VDC 60mA @ 24VDC	
POWER CONSUMPTION	1.5W Max	
THERMAL DISSIPATION CONSUMPTION	5.2 BTU	1W = 3.412 BTU/Hr
MECHANICAL		
PRODUCT DIMENSIONS	82 x 32.7mm x 121mm (3.2"W x 1.3"D x 4.8"H)	
SHIPPING DIMENSIONS	156 x 132 x 101mm (6.1"W x 5.2"D x 4"H)	
NET WEIGHT	85g (0.19Lbs)	
SHIPPING WEIGHT	0.2kg (0.5lbs)	
FINISH	ABS Plastic	
COLOUR	White or Black	RAL 9010 / RAL9005
OPERATING TEMPERATURE	0°C to 40°C (95% RH)	
APPROVALS		
	CE, IEC, RCM	





ENGINEERED BY AUSTRALIAN MONITOR

Address: Unit 1, 2 Daydream Street, Warriewood NSW 2102 Australia

Website: www.australianmonitor.com.au

International enquiries email: international@australianmonitor.com.au

ABN 86 003 231 187