



## SP.PMK

The One Systems<sup>®</sup> SP.PMK is a basic pole mount bracket designed for use with One Systems models ONE.SP6, ONE.SP8, ONE.SP12D and ONE.SP12T loudspeakers.

The SP.PMK is made of structural steel with a dual-layer, zinc-rich powder coating that will provide long useful life and safety. The SP.PMK and its associated speakers should only be used for outdoor installations for inland, non-coastal environments (more than 10 miles / 16 km from oceans).

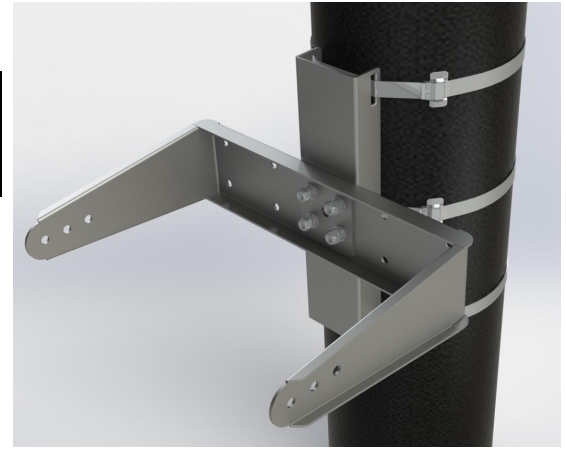
The SP.PMK may be used on round or square poles. For square / rectangular poles, the minimum flat dimension must be 3.75 inches (95.25 mm) at the speaker's mounting height and for round poles, the minimum diameter is 4 inches (101.6 mm) at the speaker's mounting height. One Systems cannot imply the suitability of specific diameters or poles. The suitability of each pole must be verified by the pole manufacturer or a structural engineer.

The SP.PMK requires several distinct parts: The SP.PMK bracket kit; the 3 clamping plates that match the size of the U-Bracket included with each ONE.SP speaker; the 304-grade stainless steel screws and washers that are included with each speaker.

To attach the bracket and speaker assembly to the pole, One Systems recommends Band-It<sup>®</sup> stainless steel banding and buckles (not sold by or available through One Systems).

There are three slots in the sides of the SP.PMT bracket. It is recommended that two single-wraps per slot are used to secure the bracket to the mounting pole.

The U-Bracket shipped with each ONE.SP model is used to attach each speaker to the SP.PMK bracket.



### FEATURES & BENEFITS

- Solid, safe, cost-effective pole mount bracket for attaching to ONE.SP speaker models to round or square poles
- The SP.PMK provides safe mounting, ease of installation and long useful life at high-value pricing
- Each SP.PMK bracket kit includes plates necessary for attaching the speaker's U-Bracket to the pole mount
- All stainless steel screws and washers necessary are included with each ONE.SP speaker model



**ONE SYSTEMS**<sup>®</sup>  
ACOUSTIC EXCELLENCE<sup>®</sup>

# SP.PMK

**WARNING:** Do not attempt to mount multiple brackets side-by-side using the same banding system. The banding systems are designed for use with one bracket **only!**

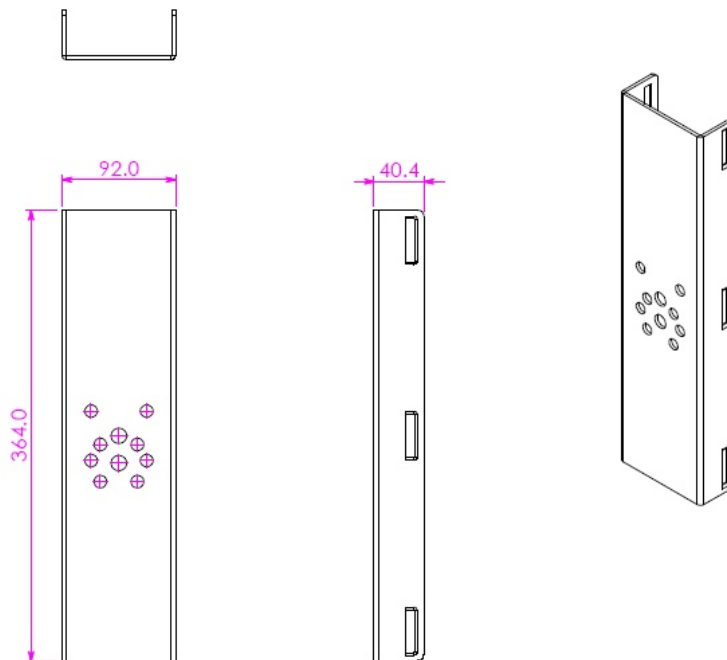
The required materials are: BAND-IT # C206R9 stainless steel bands; BAND-IT # C25699 buckles; BAND-IT # C00169 tensioning tool. The stainless steel band is Type 201SS 0.030 inches (0.762 mm) thick and 0.750 inches (19 mm) wide. These parts are available from:

BAND-IT IDEX, Inc. 4799 Dahlia St. Denver, Colorado 80216 USA. 1-800-525-0758.

FELIX PONCE Calle Ignacio Zaragonza No. 8 Colonia Ahuehuetes Atizapan 52953 Edo. de Mexico (52) 555825 8502

BAND-IT Company Speedwell Industrial Estate Stavely, Nr. Chesterfield Derbyshire, S43 3 PF England. Home Sales (44) 1246-479479. Export Sales (44) 1246 479480.

BAND-IT Shanghai Sales Office 207 room Wanbao International Business Center #660 Xinhua Road, Shanghai, China 200052. 021-62826348-308

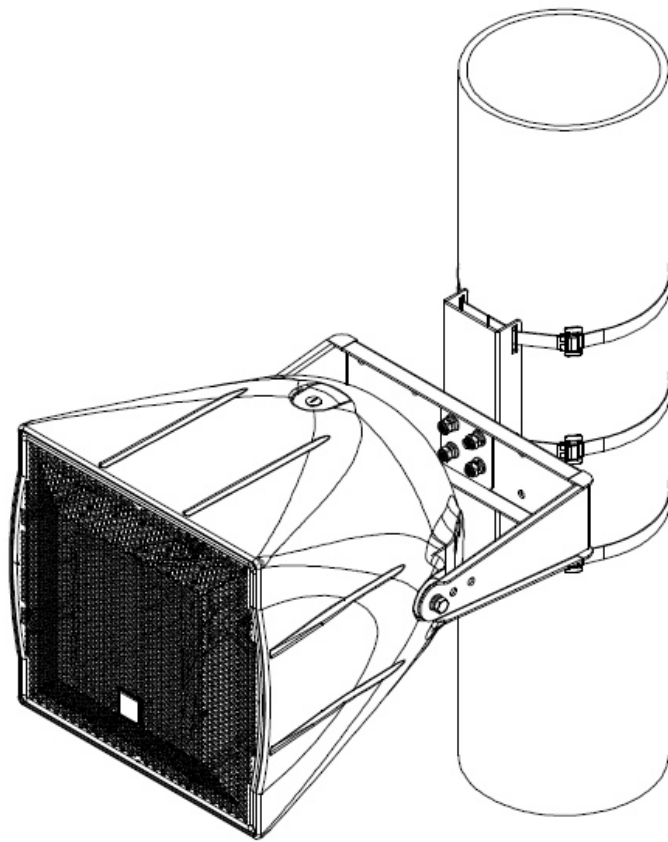


**One Systems, Inc.**

[www.onesystems.com](http://www.onesystems.com)

tel: +1-615-823-1655

fax: +1-615-261-1429



**Figure 3**

Figure 3 shows the complete assembly of the SP.PMK bracket kit, the ONE.SP12D speaker and the U-Bracket plus the necessary BAND-IT stainless steel banding that holds the speaker and bracket to the mounting pole



**ONE SYSTEMS**<sup>®</sup>  
ACoustic EXCELLENCE<sup>®</sup>

**One Systems, Inc.**

[www.onesystems.com](http://www.onesystems.com)

tel: +1-615-823-1655

fax: +1-615-261-1429