



ONE SYSTEMS®
ACOUSTIC EXCELLENCE®

SL.PMT

The One Systems® SL.PMT is a deluxe pole mount bracket with tilt capability designed for use with One Systems ONE.SL12 and ONE.S15 loudspeakers.

The SL.PMT is made of structural steel with a dual-layer, zinc-rich powder coating that will provide long useful life and safety. The SL.PMT and its associated speakers should only be used for outdoor installations for inland, non-coastal environments (more than 10 miles / 16 km from oceans).

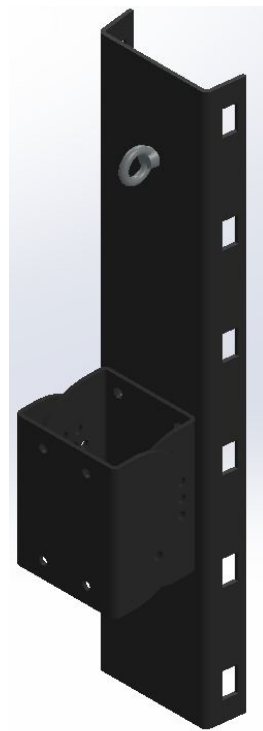
The SL.PMT may be used on round poles with a minimum flat dimension of 10 inches (254 mm). One Systems cannot imply the suitability of specific diameters or poles. The suitability of each pole for speaker installation must be verified by the pole manufacturer or a structural engineer to insure safe operating limits based on the pole's construction, local wind patterns and compliance with local and national codes.

The SL.PMT provides a "tilt" angle range from vertical (0 degrees) to a maximum down tilt of 35 degrees. The tilt angle is adjustable in 5 degree increments. The SL.PMT is designed for pole mounting only.

To attach the bracket and speaker assembly to the pole, One Systems recommends the use of Band-It® stainless steel banding and buckles (not sold by or available through One Systems).

There are six slots in the sides of the SP.PMK bracket. It is recommended that two single-wraps per slot are used to secure the bracket to the mounting pole. The U-Bracket shipped with each ONE.SL model is used to attach each speaker to the SL.PMT bracket.

Installation instructions may be found at ONESYSTEMS.com.



FEATURES & BENEFITS

- Safe, flexible pole mount bracket with tilt capability for attaching ONE.SP speaker models to poles
- The SP.PMT provides the flexibility of tilt adjustment from 0 degrees (vertical) to a maximum of 35 degrees down tilt in 5 degree increments for precise aiming of the attached loudspeaker
- All stainless steel screws and washers necessary to attach the speaker and bracket are included with each ONE.SP speaker model



ONE SYSTEMS[®]
ACOUSTIC EXCELLENCE[®]

SP.PMT

WARNING: Do not attempt to mount multiple brackets side-by-side using the same banding system. The banding systems are designed for use with one bracket **only!**

The required materials are: BAND-IT # C206R9 stainless steel bands; BAND-IT #C25699 buckles; BAND-IT #C00169 tensioning tool. The stainless steel band is Type 201SS 0.030 inches (0.762 mm) thick and 0.750 inches (19 mm) wide. These parts are available from:

BAND-IT IDEX, Inc. 4799 Dahlia St. Denver, Colorado 80216 USA. 1-800-525-0758.

FELIX PONCE Calle Ignacio Zaragonza No. 8 Colonia Ahuehuetes Atizapan 52953 Edo. de Mexico (52) 555825 8502

BAND-IT Company Speedwell Industrial Estate Stavely, Nr. Chesterfield Derbyshire, S43 3 PF England. Home Sales (44) 1246-479479. Export Sales (44) 1246 479480.

BAND-IT Shanghai Sales Office 207 room Wanbao International Business Center #660 Xinhua Road, Shanghai, China 200052. 021-62826348-308

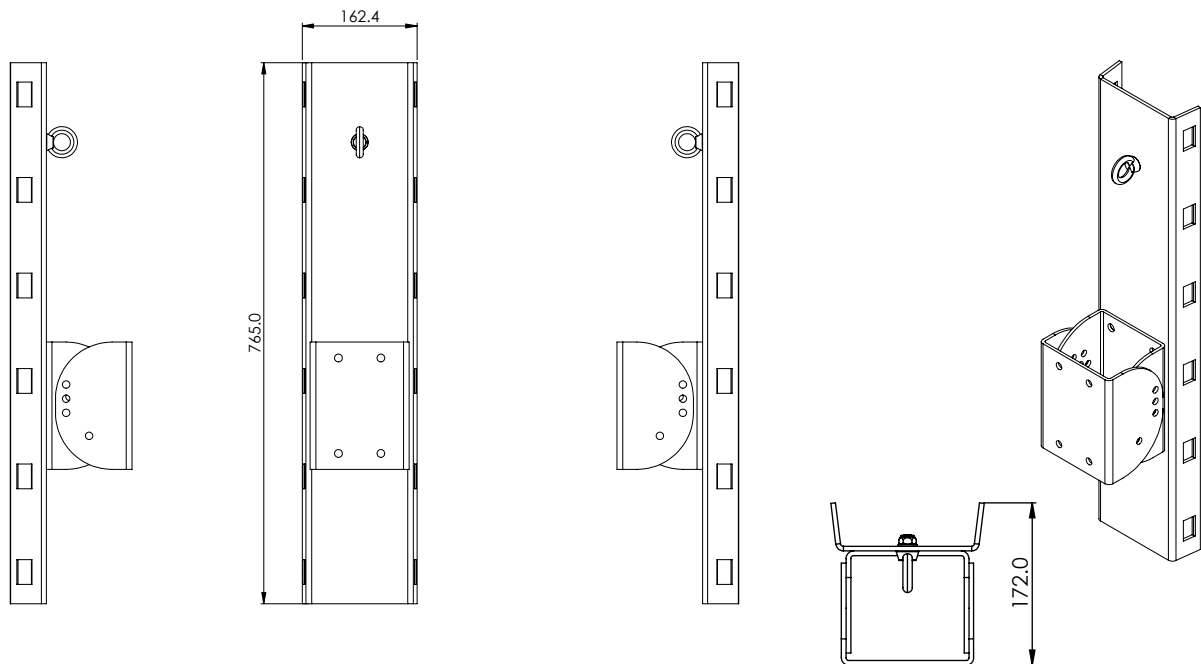


Figure 2

One Systems, Inc.

www.onesystems.com

tel: +1-615-823-1655

fax: +1-615-261-1429

Installation of the SL.PMT should only be attempted by experienced professionals that are familiar with local and national codes and safe suspension practices. One Systems also requires that the document “Rigging and Suspension of One Systems Products” be read and completely understood.

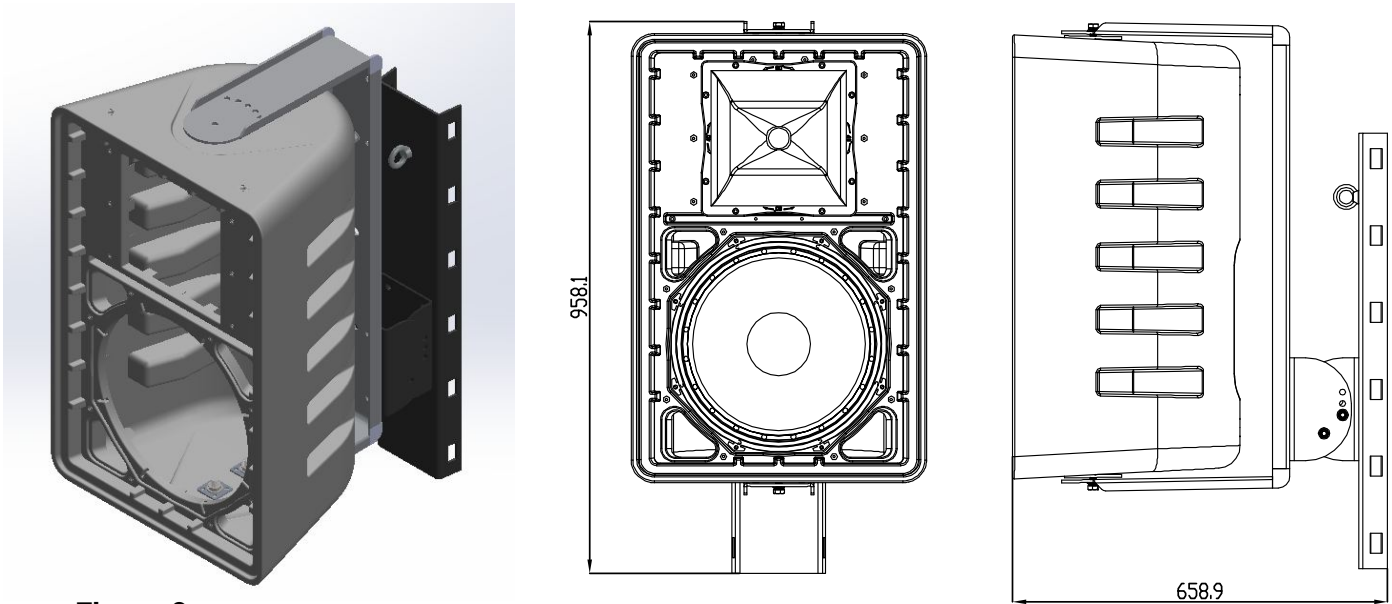


Figure 3

Figure 3 shows the assembly and dimensions of the SL.PMT bracket kit, the ONE.SL15 speaker and U-Bracket. The width of the ONE.SL15 at its front baffle is 513.2 mm

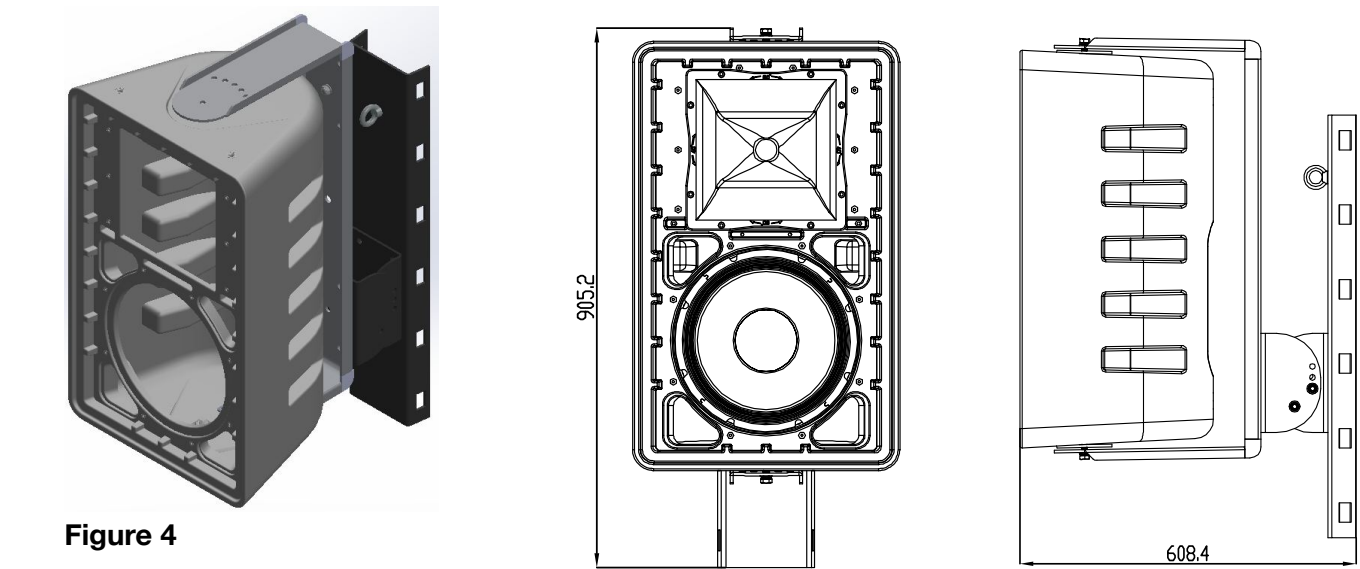


Figure 4

Figure 4 shows the assembly and dimensions of the SL.PMT bracket kit, the ONE.SL12 speaker and U-Bracket. The width of the ONE.SL12 at its front baffle is 448.2 mm.



ONE SYSTEMS[®]
ACOUSTIC EXCELLENCE[®]

One Systems, Inc.

www.onesystems.com

tel: +1-615-823-1655

fax: +1-615-261-1429