



ONE SYSTEMS[®]
ACOUSTIC EXCELLENCE[®]

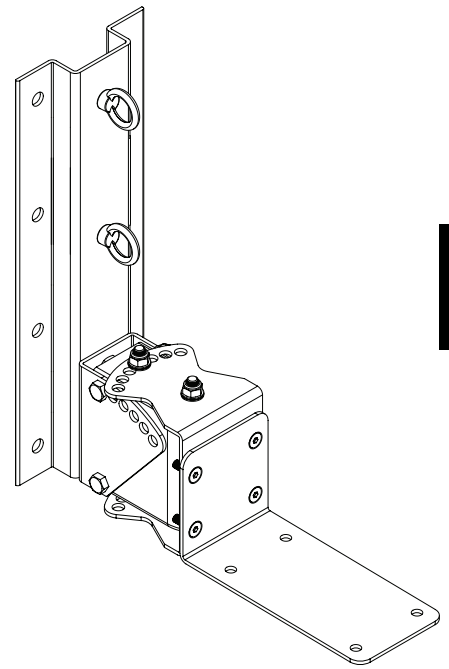
PT38.M[™]

The One Systems[®] PT38.M is a pan and tilt bracket designed for use with a variety of One Systems sound reinforcement speakers. The PT38.M utilizes 316-grade marine stainless steel that permit its use in oceanfront, cruise ship and salt air environments. All the components of the PT38.M are constructed of 316-grade marine stainless steel making it suitable for all outdoor permanent installations. The PT38.M is designed for mounting on flat surfaces only.

The One Systems PT38.M provides a “tilt” angle range from vertical (0 degrees) to a maximum down tilt of 35 degrees. The tilt angle is adjustable in 13.3-degree increments. The “pan” angle varies from on-axis to 40 degrees on either side of the longitudinal axis in 13.3-degree increments.

The PT38.M is designed for use with the 108.HTC, 108.HTH, 108.HSB and 208.HTC speakers. As noted, the PT38.M is designed for placement on flat surfaces such as walls. If pole mounting is required, the PM3.M should be used. No substitutions are permitted.

It is necessary that the installation and application of all suspended products conform to local and national safety codes. Installation of the PT38.M should only be attempted by an experienced professional that is familiar with local and national codes and safe suspension practices. One Systems also recommends that the document “Rigging and Suspension of One Systems Products” be read and completely understood.



FEATURES & BENEFITS

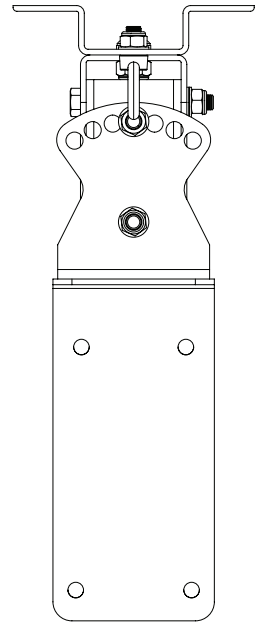
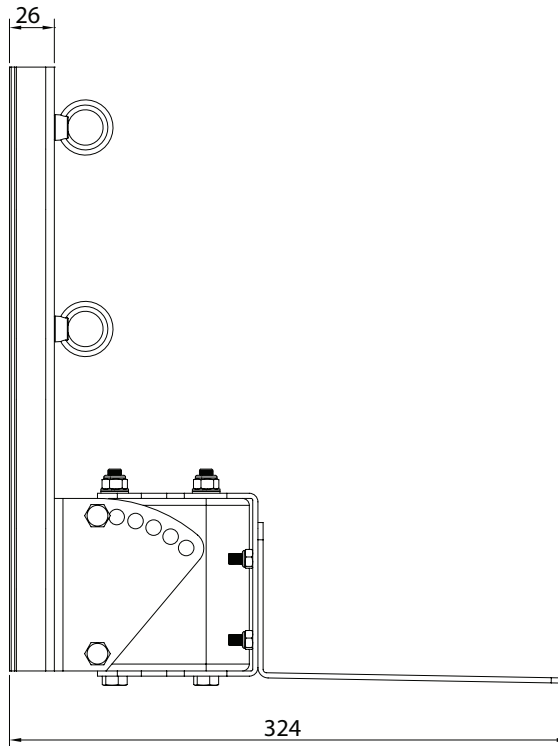
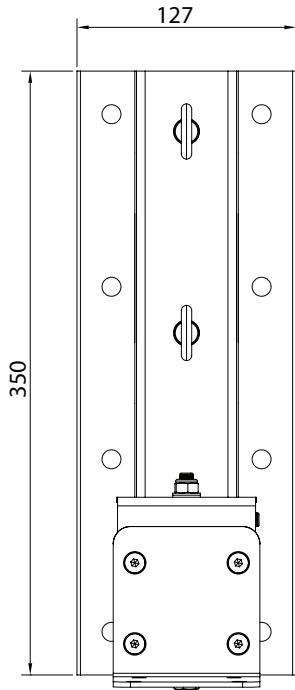
- Pan and tilt bracket designed for use with the One Systems 108.HSB, 108.HTC, 108.HTH and 208.HTC speakers
- All PT38.M components are made of 316 grade marine stainless steel that provides the highest corrosion resistance, the greatest strength and superior long-term safety
- The PT38.M's tilt angle is adjustable in 13.3-degree increments up to 35 degrees; its pan angle is adjustable to 40 degrees on either side of the longitudinal axis in 13.3-degree increments
- Includes Link assembly
- The PT38.M includes all hardware necessary for attaching the speaker to the bracket



ONE SYSTEMS[®]
ACOUSTIC EXCELLENCE[®]

PT38.M[™]

PAN / TILT BRACKET



One Systems, Inc.

www.onesystems.com

tel: +1-615-823-1655

fax: +1-615-261-1429