



ONE SYSTEMS[®]
ACOUSTIC EXCELLENCE[®]

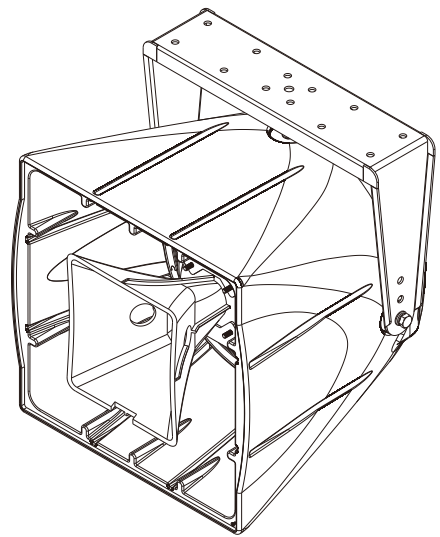
ONE.SP12T

OVERVIEW:

The One Systems ONE.SP12T™ is a weather-protected 12-inch two-way horn-loaded sound projector with an internal three-tap autoformer suitable for professional audio applications indoors or for inland environments outdoors. The system's transducers include a 12-inch woofer with a 3-inch voice coil and a 3-inch compression driver with a pure titanium diaphragm coupled to a large-sized 60° x 40° horn. The ONE.SP12T includes an internal 400-watt, 3-tap autoformer with Hi-Z taps at 400, 200 and 100 watts at 70.7 or 100 volts. Input connections are made via a 5 conductor cable. The ONE.SP12T's enclosure is made of strong, temperature and UV-resistant High Density Polyethylene (HDPE). Its specially built components and use of stainless steel suspension hardware ensure long useful life and safety for direct weather applications. Optional pole mount brackets are also available for customized mounting solutions. This speaker is also available as a Lo-Z (8 ohm) system without an internal autoformer (ONE.SP12D).

PERFORMANCE:

The ONE.SP12T provides high vocal intelligibility with tremendous acoustic output capability from its compact enclosure. Its large-format compression driver with titanium diaphragm delivers extended response and permits a lower crossover frequency for more coherent sound. Its large-sized horn provides precise pattern control and long "throw" capability. The woofer's specially treated cone and surround provide superior resonance damping and resistance against moisture and dry rot. The ONE.SP12T delivers 129 dB of continuous output capability using its 400-watt tap at 70.7 or 100 volts.



FEATURES & BENEFITS

- High-performance horn-loaded 12-inch two-way speaker that provides high intelligibility and prodigious output capability
- 400 watt, 3-tap autoformer with low insertion loss and wide bandwidth (taps at 400, 200 and 100 watts) at 70.7 or 100 V
- High 103 dB (1 watt / 1 meter) sensitivity
- Large-sized 60° x 40° horn and 3-inch HF driver with titanium diaphragm provides superb pattern control and impressive projection
- Includes robust U-Bracket made of structural steel with dual-layer, zinc-rich powder coating
- Stainless steel rigging points provide long-term safety and high corrosion resistance
- IP 55 direct weather rating
- Optional SP.PMK and SP.PMT pole mount kits available for mounting to round or square poles

One Systems, Inc.

www.onesystems.com

tel: +1-615-823-1655

fax: +1-615-261-1429

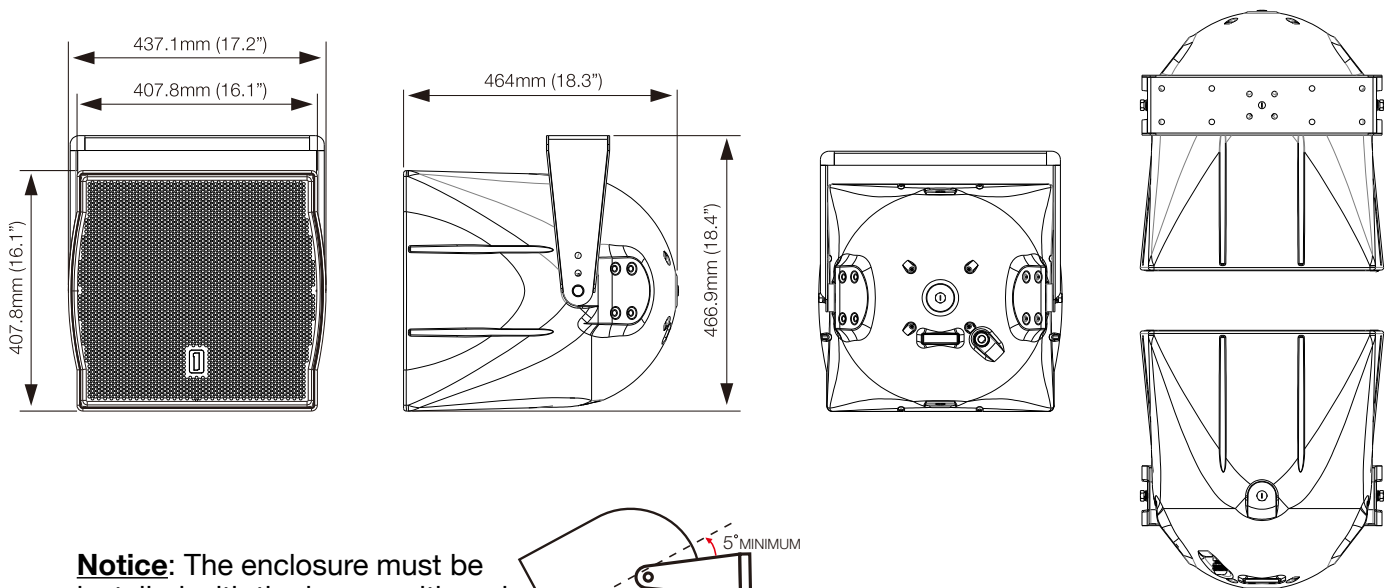
ONE.SP12T SPECIFICATIONS

Frequency Response: 90 - 14,000 Hz \pm 3 dB
Frequency Range: 70 - 20,000 Hz -10 dB
Power Handling (Lo-Z): 600 watts continuous
 1,200 watts program
 2,400 watts peak
NOTE: All system power handling ratings are amplifier headroom dependent
Sensitivity (1 watt @1 meter): 103 dB
Calculated Output Capability: 129 dB continuous
 135 dB peak
Coverage (H x V): 60° x 40°
Nominal Impedance: Autoformer taps at 400, 200, 100 watts
EASE Data: www.onesystems.com/ease-data

Input Connection: 2 m (6.6 ft) 5-conductor cable
LF Transducer: 12 inch / 305 mm with 3 inch voice coil
HF Transducer: 3 inch voice coil with titanium diaphragm
Dimensions (H x W x D), mm: 407.8 x 437.1 x 464 mm
Dimensions (H x W x D), in: 16.1 x 17.2 x 18.3 in
Net Weight: 23 kg / 50.7 lb
Direct Weather Performance: IEC 529 / IP 55
Finish: Gray
Recommended High-Pass: 80 Hz, 24 dB Butterworth
Optional Accessories:
Pole Mount Bracket: SP.PMK
Pole Mount Tilt Bracket: SP.PMT

DIRECT-WEATHER FEATURES

- Rotomolded enclosure is made of High-Density Polyethylene (HPDE) resin with steel reinforcements that provides very high UV, moisture and temperature resistance
- All rigging hardware is made of stainless steel for long-term safety and high corrosion resistance
- Three-layer "rain shield" grilles are made of structural steel with a dual-layer zinc-rich powder coating that permits use for inland outdoor applications more than 16 km / 10 miles from oceans or salt air
- The system is rated IEC 60529 Standard IP 55 (dust protection is provided that prevents interference with normal operation; penetration against water jets from any direction).
- Attached cable with IP 68-rated gland nut prevents moisture intrusion
- Advanced transducer's silicon-impregnated cone and surround are designed and built to handle moisture and temperature and humidity extremes while delivering premium audio performance

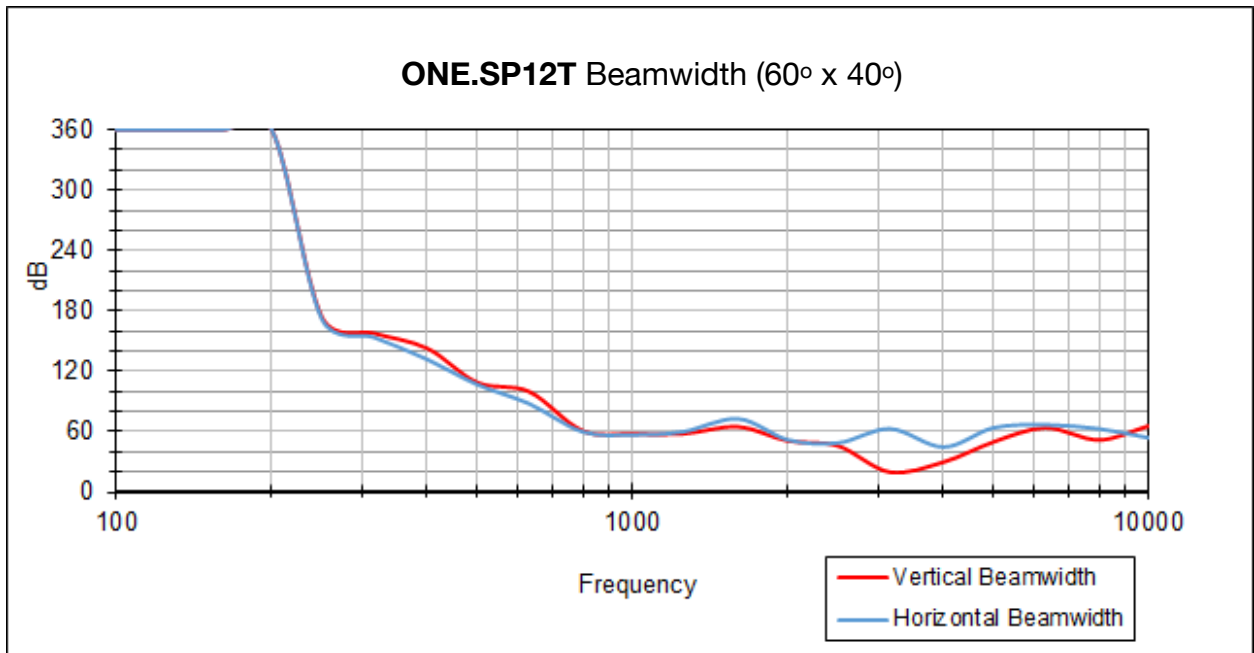
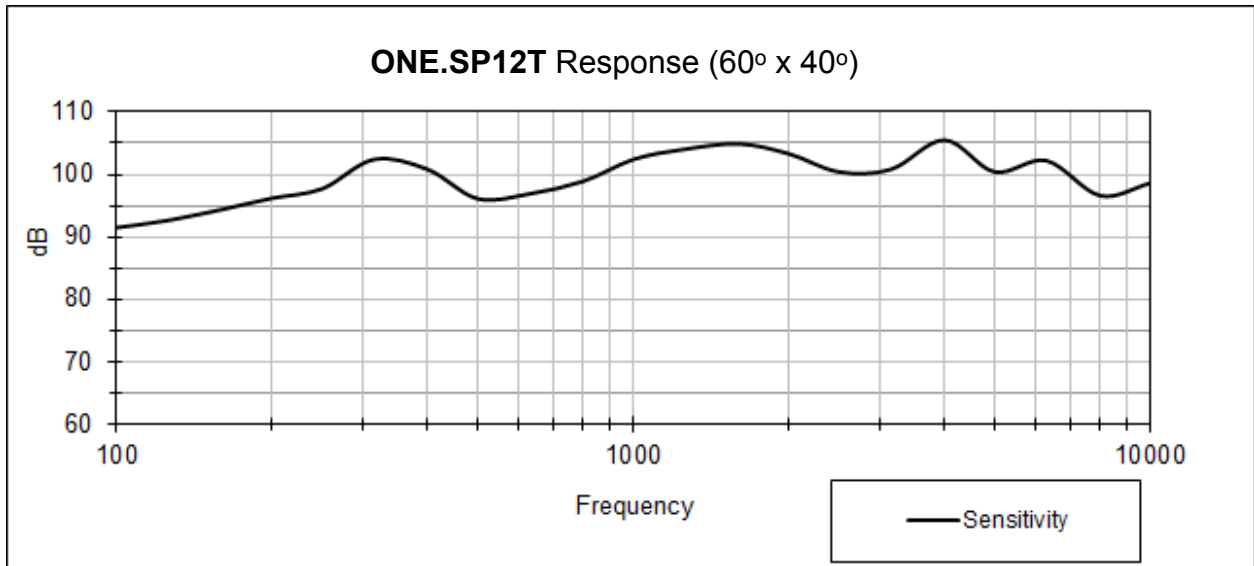


One Systems, Inc.

www.onesystems.com

tel:+1-615-823-1655

fax: +1-615-261-1429



NOTE: These measurements were created using EASE software, which limits the bandwidth to 100 - 10,000 Hz that is critical for full-range loudspeakers. No processing was used.



ONE SYSTEMS[®]
 ACOUSTIC EXCELLENCE[®]

One Systems, Inc.

www.onesystems.com

tel: +1-615-823-1655

fax: +1-615-261-1429